



URBAN
SECURITY

TARGA 206



5

megapixels
on the context sensor

50

nationalities
recognized

500

reasons
for using it

Camera equipped with dual lens for automatic license plate recognition (OCR) and for capturing the dynamics of context events. Product suitable for creating license plate reading portals inside or outside urban areas at low costs.

LPR camera
SINGLE-LANE

CERTIFIED

Privacy by Design
and Privacy by Default

ISDP 10003

NDA A
compliant



SAVE MONEY

For those seeking a cost-effective, high-performance solution



DUAL CAMERA

OCR Sensor + integrated surveillance colour context sensor



SINGLE LANE

Number plate reading synchronized on a single lane



TARGA206 + CPS 6.5 is the ideal solution for those who want to create a complete license plate reading system with a **reduced budget**, because it combines the excellent performance of the camera with the powerful video analysis (Brand, Model, Type and Colour recognition) of the CPS software.



CERTIFICATIONS & SECURITY

Both the software and the camera are ISDP10003 certified - Privacy by design and Privacy by default, which guarantees the attention that has been placed on GDPR regulations and data protection of the complete license plate reading system (software + hardware).



FOG-FIGHTER NIGHT & DAY

It has a high-performance sensor and illuminator so as to allow the recognition of vehicles in all weather conditions, both day and night. The only system with the FogFighter function to recognize licence plates even with thick fog.



OUTSTANDING PERFORMANCE

The accuracy of the data is the true value of a licence plate reading solution, because it is through accurate data that effective city security is achieved. Innumerable incorrect data wastes staff time and misleads investigations.

HARDWARE FEATURES OF THE CAMERA

Sensor	
OCR Sensor	2 Megapixel, Global Shutter, CMOS B/N, frame rate of 60 Fps
Context colour sensor	built-in -> 5 Megapixel, CMOS Rolling Shutter
Lens	
OCR lens	25 mm fixed focus lens with F1.2 aperture and C/CS mount
Context lens	12mm fixed focus lens with IR filter for panoramic view.
IR Illuminator	
Pulsed light IR Illuminator	n.6 high power 820 nm/47° IR LEDs that are compliant with the EN62471:2008 standard on photobiological safety.
Internal memory	
Typology and expandability	built-in -> 8 GB High Endurance (-40° ~ + 85°C) industrial microSD SLC memory card (expandable on request up to 256 GB of MLC type)
Ports	
Ethernet	10/100 Mbps LAN
Power supply	
Power supplies	<ul style="list-style-type: none"> • Built-in 12 Vdc power supply. • POE+ power supply (optional T)
Absorbed power	9 Watt max
Inbuilt protection	
The camera is protected against:	<ul style="list-style-type: none"> • reverse polarity • voltage fluctuations greater than 17 Vdc • overloads with thermal protection • overvoltages (TVS) on USB and Ethernet ports
Certifications	
OCR	<ul style="list-style-type: none"> • 100% accuracy according to UNI 10772:2016 class A parameters for rear, two-line, motorcycle and moped number plates.
Data security	<ul style="list-style-type: none"> • ISDP10003:2018 - <i>Privacy by Default & Privacy by Design</i>
Standards	
Respected standards	• EN62471 • EN55032 • EN55035 • EN61000 • EN62368-1 • EN60529 • EN60068 • EN60721 • European standard RoHS2 • 2011/65/UE
General	
Operating temperature	From -40°C to +65 °C without the need of fans or heaters.
Protection rating	Standard IP66 (on request IP67 and IK10)
Dimension (mm)	L=165 : H=122; D=470
Weight	3 Kg

SOFTWARE FEATURES OF THE CAMERA

Embedded Algorithms

Standard built-in functions	<ul style="list-style-type: none"> • License plate reading (OCR) - reading characters of over 50 countries • Fog-Fighter (reading license plates in the fog) • Dirt elimination • Predictive character analysis • Angle compensation • Magic spot
-----------------------------	---------------------------------------------------------------------------------------------------------------------------------------------------------------------------------------------------------------------------------------------------------------------------------------------------------------

Data communications

Integrated webserver	<ul style="list-style-type: none"> • Onvif communication protocol • Save data directly to local server or remote NAS.
Protocols	TCP/IP, UDP, HTTP, HTTPS, RTP/RTSP, DHCP.

Data security

Data protection	<ul style="list-style-type: none"> • HTTPS encryption. • AES256 Advanced Encryption Standard. • SHA2 Secure Hash Algorithm 2.
-----------------	----------------------------------------------------------------------------------------------------------------------------------------------------------------

Video output

OCR sensor	2 Megapixel Jpeg images and 1.2 Mpx RTP/RTSP video stream with MPEG4 e H264 encoding.
Context sensor	5 Megapixel snapshots and HD RTP/RTSP or HTTP video stream with MPEG4 e H264 encoding.

Compatibility

Integration	The camera is only compatible with Selea's CPS software
-------------	---------------------------------------------------------

Functionality

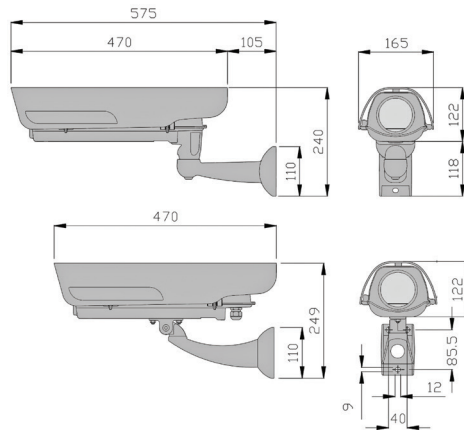
Operating system	<ul style="list-style-type: none"> • Linux Embedded
Standard built-in functions	<ul style="list-style-type: none"> • Multiple user management using HTTPS protocol protected access credentials for accessing the camera. • Synchronized recording of metadata and captured code/number plate image. • List management (white/black, no list) with independent actions for each list. • Synchronized recording of metadata and captured code/number plate image. • Integration and saving of context camera images. • Privacy management with automatic deletion of image data after a specified period of time. • Save data on a local server or remote NAS. • HTTPS security management. • Multiple action alarm management. • Live and check control function for checking the operation of the entire system. • Synchronization of date and time via NTP, IEEE1588 protocol. • Possibility of updating firmware from a web page.

Accuracy

OCR accuracy	<ul style="list-style-type: none"> • Up to 99% of transits. • 100% accuracy according to UNI 10772:2016 class A parameters for rear, two-line, motorcycle and moped number plates. • 140 Km/h maximum capture speed
--------------	-------------------------------------------------------------------------------------------------------------------------------------------------------------------------------------------------------------------------------------------------------------

ACCESSORIES

T Power supply PoE+ (Power Over Ethernet Plus) standard 802.3at including a high power injector.



Software solution for the management of license plate reading cameras.



CPS 6.5

Software for ANPR cameras

CERTIFIED
Privacy by Design
and Privacy by Default
ISDP 10003

SOFTWARE SOLUTION FOR
POLICE



Software solution for management and storage of data coming from **the most popular ANPR-OCR cameras** on the market. A solution **without subscriptions** which allows to save money and makes the work of the **Police** more efficient, in the context of city and road safety.

The solution is equipped **with advanced algorithms** for traffic analysis which help to detect violations, tracing the route on graphic maps, while transmitting all the information on mobile devices.

Ideal solution for **road safety** and for those who want a truly complete and high-performance solution in the **field of investigations** and combating crime:

a field in which the CPS software excels, being equipped with the most advanced methods of analysis and extrapolation of information. Functions that allow it to carry out quick searches and detect vehicles of a specific **colour, make, model, type, nationality, speed, direction, crime accomplices, stolen cars** and much more.

About us

SELEA is specialized in the manufacture of number plate reading solutions, both for vehicle access control and for territorial security and traffic control. All of our products are developed and manufactured entirely in Italy. This means that our customers benefit from continuous and comprehensive technical support.

Selea Srl

Via Aldo Moro, 69
46019 Cicognara (MN)
Italy
VAT 01811290202
Tel +39 0375 88.90.91
Fax +39 0375 88.90.80
www.selea.com
infocom@selea.com

- HARDWARE MANUFACTURING
- SOFTWARE DEVELOPMENT
- IN-HOUSE RESEARCH & DEVELOPMENT
- 100% MADE in ITALY by SELEA

made in italy

