

TARGA 306

Camera equipped with dual optics for automatic number plate recognition (OCR-ANPR) and full-colour context detection. This product is ideal for license plate reading portals within the urban area.



Dual lens camera (OCR and context) for automatic reading of number plates and dangerous goods (Kemler), **single lane**, equipped with a 2.3 Mpx Global Shutter OCR sensor with a 25 mm fixed focal lens and a 2 Mpx Sony Night Vision high-sensitivity colour context sensor with a 12 mm fixed lens.

TARGA 306 is equipped with **high-precision and accurate** video analysis algorithms (*deep learning*), integrated in the AI - NVIDIA platform for the recognition of:

- **Make and Model of** vehicles,
- **Direction** of travel,
- **Nationality**,
- Estimation of instantaneous vehicle **speed**,
- **Privacy** function of blurring all subjects external to the recognised vehicle.

.The camera can also be powered in **POE+** via its available option

TARGA 306 works exclusively with the **CPS software platform** and cannot be integrated into third-party software platforms.

HARDWARE FEATURES OF THE CAMERA

Sensor	
OCR sensor	2.3 Megapixel, Global Shutter 1/2.6", CMOS B/N, frame rate of 60 Fps
Context sensor	2 Megapixel color Sony Night Vision CMOS with high sensitivity for color images even at night.
Lens	
OCR lens	25 mm fixed focus lens with F1.2 and C/CS mount.
Context lens	12 mm fixed focus lens with IR filter. Wider field of view than OCR images to have a panoramic view of the traffic when reading the license plate.
Exposure mode	
OCR sensor	Dual Shutter, Triple Shutter, Auto Shutter, Fixed Shutter
Context sensor	Auto Shutter
IR Illuminator	
Pulsed light IR Illuminator	n.6 high power 820 nm/47° IR LEDs (940 nm on request) that are compliant with the EN62471:2008 standard on photobiological safety.
Internal memory	
Typology and expandability	8 GB High Endurance (transfer rate: 80 MB/s) (-40° ~ + 85°C) industrial microSD SLC memory card (expandable on request up to 256 GB of MLC type).
Ports	
Ethernet	10/100/1000 Mbps LAN
Power supply	
Power supplies	<ul style="list-style-type: none"> • 12 Vdc • POE+ power supply including high power injector (optional)
Absorbed power	16 Watt max
Inbuilt protection	
The camera is protected against:	<ul style="list-style-type: none"> • reverse polarity. • voltage fluctuations greater than 17 Vdc. • overloads with thermal protection. • overvoltages (TVS) on USB and Ethernet ports.

HARDWARE FEATURES OF THE CAMERA

Certifications

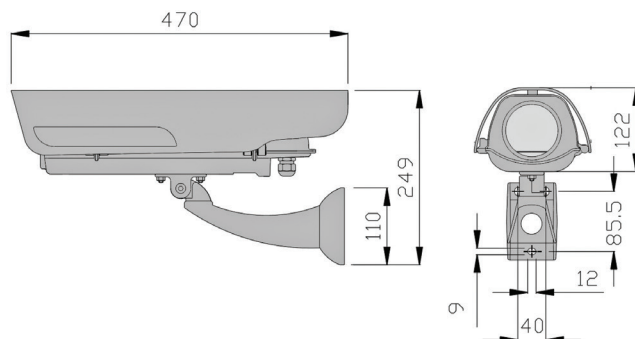
OCR	<ul style="list-style-type: none"> 100% accuracy according to UNI 10772:2016 class A parameters for rear, two-line, motorcycle and moped number plates.
Data security	<ul style="list-style-type: none"> ISDP10003:2018 - <i>Privacy by Default & Privacy by Design</i>

Standards

Respected standards	<ul style="list-style-type: none"> EN62471 EN55032 EN55035 EN61000 EN62368-1 EN60529 EN60068 EN60721 European standard RoHS2 - 2011/65/UE
---------------------	--

General

Operating temperature	From -40°C to +65 °C without the need of fans or heaters.
Protection rating	Standard IP67 and IK10
Dimension (mm)	L=165 : H=122; D=470
Weight	3 Kg



SOFTWARE FEATURES OF THE CAMERA

Embedded algorithms	
Standard built-in functions	<ul style="list-style-type: none"> • License plate reading (OCR) - reading characters of over 50 countries • ADR dangerous goods tables reading (Kemler/ONU) • Fog-Fighter (reading license plates in the fog) • Speed estimation • Direction of travel • Nationality (+ 50 Countries) • Blurring of subjects on both sensors (total respect for Privacy) • Make (400) - accuracy > 95% • Model (+9000) - accuracy > 95%
Accuracy	The recognition accuracy of the integrated algorithms depends on local lighting conditions and installation methods which, if properly followed, can reach the indicated values.
Notes	The above-mentioned processing is applied to the images obtained from both sensors (OCR and Context).
Data communications	
Integrated webservice	<ul style="list-style-type: none"> • Onvif Profile S communication protocol. • Save data directly to local server or remote NAS. • Integration with third party VMS software solutions. • Synchronized recording of metadata, number plate/Kemler table and context image. • Context images synchronised with number plate/Kemler table. • Dynamic creation and updating of multiple lists (black/white). • Multiple action alarm management. • Differentiated alarms for each type of infringement. • Double FTP server.
Protocols	TCP/IP, UDP, HTTP, HTTPS, RTP/RTSP, DHCP, SNMP.
Data security	
Data protection	<ul style="list-style-type: none"> • HTTPS encryption. • Micro SD memory encryption. • Automatic deletion of data and images after specified period of time (privacy management). • AES256 Advanced Encryption Standard. • SHA2 Secure Hash Algorithm 2.

SOFTWARE FEATURES OF THE CAMERA

Functionality	
Operating system	<ul style="list-style-type: none"> Linux Embedded
Standard built-in functions	<ul style="list-style-type: none"> Embedded FPGA video signal processing. Mode of operation: free-run, weighted, redundant. Double FTP server. Multiple user management using HTTPS protocol protected access credentials for accessing the camera. List management (white/black, no list) with independent actions for each list. Synchronized recording of metadata and captured code/number plate image. Integration and saving of context camera images. Privacy management with automatic deletion of image data after a specified period of time. Integration with third party VMS video surveillance software solutions. Save data on a local server or remote NAS. HTTPS security management. Live and check control function for checking the operation of the entire system. Synchronization of date and time via NTP, IEEE1588 protocol. Possibility of updating firmware from a web page.
Video output	
OCR sensor	2.3 Megapixel Jpeg images and HD RTP/RTSP video stream with MPEG4,H264 and H265 encoding.
Context sensor	Images and RTP/RTSP or HTTP video stream with MPEG4, H264 and H265 encoding.
Context frame rate	30 fps with 2 Mpx Sony Night Vision context sensor
Compatibility	
Integration	The camera is compatible only with Selea CPS software.
Accuracy	
OCR accuracy	<ul style="list-style-type: none"> Up to 99,8% of transits. Up to 98% of oncoming ADR plate (Kemler-UN) reading transits, 100% accuracy according to UNI 10772:2016 class A parameters for rear, two-line, motorcycle and moped number plates. 140 Km/h maximum capture speed
Installation	
Geometry	<ul style="list-style-type: none"> Single lane detection Gate width: up to 4 m Reading distance: up to 25 m Mounting height: up to 5.5 m

ACCESSORIES

T

POE+ power supply including high power injector

CPS 6.5

Suit software with **no fees**, **No.1 in Italy**, for managing license plate reading portals.

CERTIFIED

Privacy by Design
& Privacy by Default

ISDP 10003



The most complete software suite for the management, archiving and searching of license plates and vehicles, **compatible with the most common license plate reading cameras** available on the market. A comprehensive solution that enhances the daily work of **Local Police** officers operating on the streets and in the operations room for road safety and citizen protection.

The suite offers the invaluable advantage of being **free from the usual renewal fees** resulting in continuous **economic savings**.

The CPS integrates advanced algorithms for **investigative use**, vehicle detection and interception, with localization and route visualization on graphical maps, traffic analysis, and transmission of information to mobile devices (*cell phones, tablets, laptops, LTE radio devices*).

Ideal suit for both **Local** and **Judicial Police**, for use in **vehicle searches, investigations, crime prevention, and repression**: a field in which the CPS excels over any other solution. Advanced algorithms and analysis methods for information extraction enable it to perform **ultra-fast tree searches** on hundreds of millions of data, and through filters, extract vehicles with specific characteristics such as **color, make, model, type, speed, direction, nationality**, as well as **complices in crimes, stolen cars, frontmen, uninsured/untested vehicles**.

About us

SELEA is specialized in the manufacture of number plate reading solutions, both for vehicle access control and for territorial security and traffic control. All of our products are developed and manufactured entirely in Italy. This means that our customers benefit from continuous and comprehensive technical support.

Selea Srl

Via Aldo Moro, 69
46019 Cicognara (MN)
Italy
VAT 01811290202
Tel +39 0375 88.90.91
Fax +39 0375 88.90.80
www.selea.com
infocom@selea.com

- HARDWARE MANUFACTURING
- SOFTWARE DEVELOPMENT
- IN-HOUSE RESEARCH & DEVELOPMENT
- 100% MADE in ITALY by SELEA

madeinitaly

