

TARGA 504

Parking and vehicle access control solution.



5 Mpx

Rolling Shutter



2 Mpx

Global Shutter



8 GB

Memory



POE+

optional



I/O

Serial



**SINGLE
LANE**

CERTIFIED
ISDP10003
Privacy by design

COMPLIANCE
NDAA
Cyber Security

WARRANTY
5 YEARS

ANPR camera for parking and access control systems, for OCR recognition of number plates and dangerous goods (Kemler), with **high accuracy** even in critical conditions such as dirty and deteriorated number plates, during the day and night. License plate reading solution for those who want to create a professional parking and access control system with ZERO effect: zero errors, zero problems, zero waste of time.

The camera is equipped with:

- 2 Mpx OCR Global Shutter sensor, with a 5-55mm varifocal lens (10x zoom)
- optional 5 Mpx Rolling Shutter colour sensor for panoramic shooting of the context with an 8 mm fixed focus lens
- IR illuminator for readings from 3 up to 10 m
- RS232/485 serial interface as standard, (optional) OSDP and opto-isolated Wiegand
- Input and Output
- 8GB internal memory for White/Black list making it a stand-alone system without PC connections

The camera can be optionally powered in **POE+** with high power injector.

COMPATIBLE WITH THIRD PARTY SYSTEMS: *Siemens, Faac, Skidata, HUB Parking Came, Fadini ... and many others*

HARDWARE FEATURES OF THE CAMERA

Sensor	
OCR sensor	2 Megapixel, Global Shutter 1/2.6", CMOS B/N, frame rate of 54 Fps
Context colour sensor	5 Megapixel, CMOS Rolling Shutter (optional)
Lens	
OCR lens	5 ~ 55 mm (zoom 10x) varifocal lens with F1.4 aperture and C/CS mount
Context lens	8 mm fixed focus lens with IR filter.
Exposure mode	
OCR sensor	Triple Shutter, Auto Shutter, Fixed Shutter
Context sensor	Auto Shutter
IR Illuminator	
Pulsed light IR Illuminator	n.6 high power 820 nm/47° IR LEDs that are compliant with the EN62471:2008 standard on photobiological safety.
Internal memory	
Type	8 GB High Endurance (transfer rate: 80 MB/s) (-40° ~ + 85°C) industrial microSD SLC memory card, useful for storing White/Black lists and the captured images.
Input/Output	
Input	<ul style="list-style-type: none"> n.2 digital inputs <i>Image acquisition and processing can also be activated by a digital command or through a network connection.</i>
Output	<ul style="list-style-type: none"> n.1 interface RS232 - RS485 n.1 10A - 250 Vac, o 5 A a 30 Vdc volt-free contact relays (0.3 A a 125 Vac o 1 A a 30 Vdc if the camera is fitted with the Wiegand interface)
Ports	
Ports	<ul style="list-style-type: none"> 10/100 Mbps Ethernet LAN n.4 USB ports
Power supply	
Power supplies	<ul style="list-style-type: none"> 230 Vac power supply POE+ power supply (optional)
Absorbed power	10 Watt max
Inbuilt protections	
The camera is protected against:	<ul style="list-style-type: none"> reverse polarity. voltage fluctuations greater than 17 Vdc. overloads with thermal protection. overvoltages (TVS) on USB and Ethernet ports.

HARDWARE FEATURES OF THE CAMERA

Accuracy

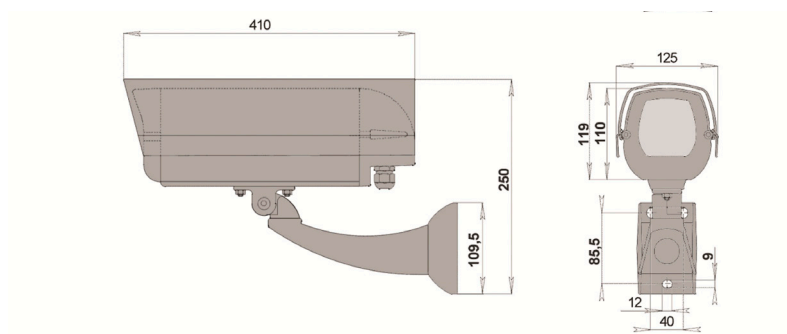
OCR accuracy	<ul style="list-style-type: none"> Up to 99,9% of transits. Maximum capture speed 50 km/h
--------------	---

Standards

Respected standards	<ul style="list-style-type: none"> EN62471 EN55032 EN55035 EN61000 EN62368-1 EN60529 EN60068 EN60721 European standard RoHS2 - 2011/65/UE
---------------------	--

General

Operating temperature	From -30°C to +55 °C without the need of fans or heaters.
Protection rating	IP66
Dimension (mm)	L=83 : H=130; D=410
Weight	3 Kg



SOFTWARE FEATURES OF THE CAMERA

Embedded Algorithms	
Standard built-in functions	<ul style="list-style-type: none"> • License plate reading (OCR) - reading characters of over 50 countries • Fog-Fighter (reading license plates in the fog) • Dirt elimination • Predictive character analysis • Angle compensation • Magic spot
Data communications	
Integrated webserver	<ul style="list-style-type: none"> • Onvif communication protocol. • Save data directly to local server or remote NAS. • Integration with third party VMS software solutions. • Synchronized recording of metadata and captured number plate image. • Synchronized context images with the number plate images. • Dynamic creation and updating of multiple lists (black/white). • Integration and saving in memory of Jpg snapshot images in Http. • Privacy management with automatic deletion of image data after a specified period of time. • Internal memory management. When the memory is full, the cameras automatically delete the oldest files to make room for the new ones (Fi.Fo method). • Multiple action alarm management.
Protocols	TCP/IP, UDP, HTTP, HTTPS, FTP, FTPS, RTP/RTSP, DHCP, SNMP.
Other integrated protocols	<ul style="list-style-type: none"> • MODBUS (built-in) • Opto-isolated Wiegand, OSDP - optional (see options W and O)
Data security	
Data protection	<ul style="list-style-type: none"> • HTTPS encryption. • FTPS (FTP over TLS/SSL) encryption. • Micro SD memory encryption. • Automatic deletion of data and images after specified period of time (privacy management). • AES256 Advanced Encryption Standard. • SHA2 Secure Hash Algorithm 2.
Video output	
OCR sensor	2 Megapixel Jpeg images and RTP/RTSP video stream with MPEG4 e H264 encoding.
Context sensor	RTP/RTSP or HTTP video stream with MPEG4 e H264 encoding.
Installation	
Geometry	<ul style="list-style-type: none"> • Single lane detection • Gate width: up to 4 m • Reading distance: up to 10 m • Mounting height: up to 2.5 m

SOFTWARE FEATURES OF THE CAMERA

Functionality

Operating system	<ul style="list-style-type: none"> Linux Embedded
Standard built-in functions	<ul style="list-style-type: none"> Embedded FPGA video signal processing. Mode of operation: free-run, weighted, redundant, external trigger. Double FTP server and double IP notification server. Dynamic FTP notification forwarding customization. IP notification customization. Multiple user management using HTTPS protocol protected access credentials for accessing the camera. List management (white/black list, no list) with independent actions for each list. Synchronized recording of metadata and captured code/number plate image. Integration and saving of context camera images. Privacy management with automatic deletion of image data after a specified period of time. Integration with third party VMS video surveillance software solutions. Save data on a local server or remote NAS. HTTPS security management. FTPS (FTP over TLS/SSL) security management. E-mail forwarding security using TLS/SSL protocol. Multiple action alarm management. Live and check control function for checking the operation of the entire system. Synchronization of date and time via NTP, IEEE1588 protocol. Possibility of updating firmware from the web page.

Compatibility and integration

The camera can be integrated into the access control systems of the most famous brands in the parking and access control market such as: **HUB PARKING - FAAC - SKIDATA - SIEMENS - CAME - FADINI ...**

ACCESSORIES

D8	Colour sensor CMOS Rolling Shutter, 5 Megapixels resolution, fitted with an 8 mm fixed focus lens with an M12 mount
W	Wiegand serial interface for the integration within many access control systems.
O	OSDP interface (Vers. 1 and 2 with data encryption)
T	Module for powering the camera with PoE+ (standard 802.3at) including high power injector.
Z	Natural white light, replacing the standard IR illuminator, for reading car plates with red characters.



Software for VEHICLE ACCESS CONTROL

CERTIFIED

Privacy by Design
& Privacy by Default

ISDP 10003



A software solution for those who need a valid tool to manage their customers' parking spaces, such as hotels, campsites, residences, car parks and also private homes, with management functions including:

- permits,
- schedules,
- special types of customers (VIP),
- calculating stay costs,
- entrance of vehicles of a family group, in order to manage the limited availability of parking spaces in residential complexes or campsites. Upon reaching the maximum number of places available, Qentry inhibits entry to additional vehicles of the family group, enabling entry only when the assigned place has been freed.

Qentry is capable of handling special categories of vehicles (ambulances, Law Enforcement, suppliers or special customers, which can automatically enter, regardless of the set time conditions. Qentry is an access control and parking management module and can also be used as a video recording and surveillance system.

About us

SELEA is specialized in the manufacture of number plate reading solutions, both for vehicle access control and for territorial security and traffic control. All of our products are developed and manufactured entirely in Italy. This means that our customers benefit from continuous and comprehensive technical support.

Selea Srl

Via Aldo Moro, 69
46019 Cicognara (MN)
Italy
VAT 01811290202
Tel +39 0375 88.90.91
Fax +39 0375 88.90.80
www.selea.com
infocom@selea.com

- HARDWARE MANUFACTURING
- SOFTWARE DEVELOPMENT
- IN-HOUSE RESEARCH & DEVELOPMENT
- 100% MADE in ITALY by SELEA

madeinitaly

