

# TARGA 560



Parking and vehicle access control solution.



**5 Mpx**  
Night Vision



**3.2 Mpx**  
Global Shutter



**NVIDIA**  
Platform



**8 GB**  
Memory



**POE+**  
optional



**I/O**  
Serial



**DUAL LANE**

**CERTIFIED**  
**ISDP10003**  
Privacy by design

**COMPLIANCE**  
**NDAA**  
Cyber Security

**WARRANTY**  
**5 YEARS**

ANPR camera for parking and access control systems, for OCR recognition of number plates and dangerous goods (Kemler), with **high accuracy** even in critical conditions such as dirty and deteriorated number plates, during the day and night. License plate reading solution for those who want to create a professional access control system also for the control of heavy vehicles on widened gates (7 m).

The camera is equipped with:

- 3.2 Mpx OCR Global Shutter sensor, with a 4.4-10mm varifocal lens
- 5 Mpx Sony Night Vision colour sensor for panoramic context shooting with a 6 mm fixed focus lens
- IR illuminator for readings from 3 up to 10 m
- RS232/485 serial interface, OSDP and opto-isolated Wiegand as standard
- Input and Output
- 8GB internal memory for White/Black list making it a stand-alone system without a PC connections

The camera can optionally be powered in **POE+** with a high power injector

**COMPATIBLE WITH THIRD PARTY SYSTEMS:** *Siemens, Faac, Skidata, HUB Parking Came, Fadini ... and many others*

## HARDWARE FEATURES OF THE CAMERA

<b>Sensor</b>	
OCR sensor	3.2 Megapixel, Global Shutter 1/1.8", CMOS B/N, frame rate of 60 Fps
Context sensor	5 Megapixel color Sony Night Vision CMOS with high sensitivity for color images even at night.
<b>Lens</b>	
OCR lens	4.4 ~ 10 mm varifocal lens with F1.4 and C/CS mount.
Context lens	6 mm fixed focus lens with IR filter.
<b>Exposure mode</b>	
OCR sensor	Dual Shutter, Triple Shutter, Auto Shutter, Fixed Shutter
Context sensor	Auto Shutter
<b>IR Illuminator</b>	
Pulsed light IR Illuminator	n.12 high power 820 nm/47° IR LEDs (940 nm on request) that are compliant with the EN62471:2008 standard on photobiological safety.
<b>Internal memory</b>	
Typology and expandability	<ul style="list-style-type: none"> <li><b>built-in</b> -&gt; 8 GB High Endurance (transfer rate: 80 MB/s) (-40° ~ + 85°C) industrial microSD SLC memory card (expandable on request up to 256 GB of MLC type).</li> <li>The memory can be expanded using the USB interface provided to connect storage disks of high capacity currently available on the market (≤ 1TB - optional)</li> </ul>
<b>Input/Output</b>	
Input	<ul style="list-style-type: none"> <li>n.2 digital inputs</li> <li>interface for PM2,5/10 Air Quality sensors (model AVPM10/25 or similar)</li> </ul> <i>Image acquisition and processing can also be activated by a digital command or through a network connection.</i>
Output	<ul style="list-style-type: none"> <li>n.1 RS232 - RS485 interface</li> <li>n.1 10A - 250 Vac, 10A - 30 Vdc volt-free contact relays</li> <li>n.1 0.3A - 125 Vac, 1A 30 Vdc volt-free contact relays</li> </ul>
<b>Ports</b>	
USB	n.2 USB 3.1 ports
Ethernet	10/100/1000 Mbps LAN
<b>Power supply</b>	
Power supplies	<ul style="list-style-type: none"> <li>10 ~ 32 Vdc</li> <li>POE+ power supply including high power injector (optional)</li> </ul>
Absorbed power	18 Watt max
<b>Inbuilt protection</b>	
The camera is protected against:	<ul style="list-style-type: none"> <li>reverse polarity.</li> <li>voltage fluctuations greater than 30 Vdc.</li> <li>overloads with thermal protection.</li> <li>overvoltages (TVS) on USB and Ethernet ports.</li> </ul>

## HARDWARE FEATURES OF THE CAMERA

### Certifications

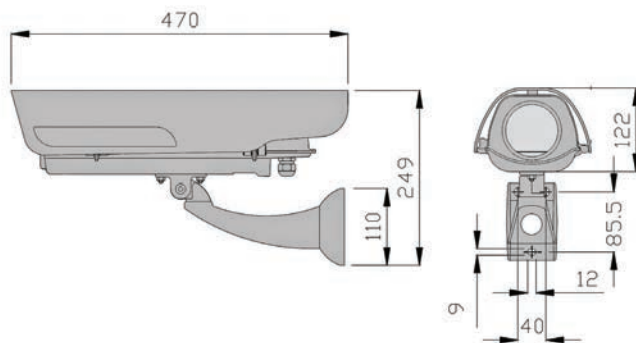
OCR	<ul style="list-style-type: none"> <li><b>100% accuracy</b> according to UNI 10772:2016 class A parameters for rear, two-line, motorcycle and moped number plates.</li> </ul>
Data security	<ul style="list-style-type: none"> <li>ISDP10003:2020 - <i>Privacy by Default &amp; Privacy by Design</i></li> </ul>

### Standards

Respected standards	<ul style="list-style-type: none"> <li>EN62471</li> <li>EN55032</li> <li>EN55035</li> <li>EN61000</li> <li>EN62368-1</li> <li>EN60529</li> <li>EN62262</li> <li>EN60068</li> <li>EN60721</li> <li>European standard RoHS2 - 2011/65/UE</li> </ul>
---------------------	---

### General

Operating temperature	From -40°C to +65 °C without the need of fans or heaters.
Protection rating	Standard IP68 and IK10
Dimension (mm)	L=165 : H=122; D=470
Weight	3 Kg



## SOFTWARE FEATURES OF THE CAMERA

### Embedded algorithms

Standard built-in functions	<ul style="list-style-type: none"> <li>• License plate reading (OCR) - reading characters of over 50 countries</li> <li>• ADR dangerous goods tables reading (Kemler/ONU)</li> <li>• Fog-Fighter (reading license plates in the fog)</li> <li>• Nationality</li> </ul>
-----------------------------	--

### Data communications

Integrated webservice	<ul style="list-style-type: none"> <li>• Onvif Profile S communication protocol.</li> <li>• Save data directly to local server or remote NAS.</li> <li>• Integration with third party VMS software solutions.</li> <li>• Synchronized recording of metadata, number plate/Kemler table and context image.</li> <li>• Context images synchronised with number plate/Kemler table.</li> <li>• Dynamic creation and updating of multiple lists (black/white).</li> <li>• Integration and HTTP storage of JPEG snapshot images of external TCP/IP context cameras of any make or model.</li> <li>• Multiple action alarm management.</li> <li>• Differentiated alarms for each type of infringement.</li> <li>• Alarm-triggered transmission of the image associated with the captured number plate to remote devices (such as MOTOROLA and HYTERA mobile radio communication equipment, Tablet etc.) with vocal reception of the number plate.</li> <li>• Double FTP and/or TCP/IP server.</li> </ul>
-----------------------	--

Protocols	TCP/IP, UDP, HTTP, HTTPS, FTP, FTPS, RTP/RTSP, DHCP, SNMP.
-----------	--

Other integrated protocols	<ul style="list-style-type: none"> <li>• MODBUS</li> <li>• Opto-isolated Wiegand, OSDP</li> </ul>
----------------------------	---

### Data security

Data protection	<ul style="list-style-type: none"> <li>• HTTPS encryption.</li> <li>• FTPS (FTP over TLS/SSL) encryption.</li> <li>• Micro SD memory encryption.</li> <li>• Automatic deletion of data and images after specified period of time (privacy management).</li> <li>• AES256 Advanced Encryption Standard.</li> <li>• SHA2 Secure Hash Algorithm 2.</li> </ul>
-----------------	--

## SOFTWARE FEATURES OF THE CAMERA

Functionality	
Operating system	<ul style="list-style-type: none"> <li>Linux Embedded</li> </ul>
Standard built-in functions	<ul style="list-style-type: none"> <li>Embedded FPGA video signal processing.</li> <li>Mode of operation: free-run, weighted, redundant, external trigger.</li> <li>Double FTP server and double IP notification server.</li> <li>Dynamic FTP notification forwarding customization.</li> <li>IP notification customization.</li> <li>Multiple user management using HTTPS protocol protected access credentials for accessing the camera.</li> <li>List management (white/black, no list) with independent actions for each list.</li> <li>Synchronized recording of metadata and captured code/number plate image.</li> <li>Integration and saving of context camera images.</li> <li>Privacy management with automatic deletion of image data after a specified period of time.</li> <li>Integration with third party VMS video surveillance software solutions.</li> <li>Save data on a local server or remote NAS.</li> <li>HTTPS security management.</li> <li>FTPS (FTP over TLS/SSL) security management.</li> <li>E-mail forwarding security using TLS/SSL protocol.</li> <li>Multiple action alarm management.</li> <li>Live and check control function for checking the operation of the entire system.</li> <li>Synchronization of date and time via NTP, IEEE1588 protocol.</li> <li>Possibility of updating firmware from a web page.</li> </ul>
Video output	
OCR sensor	3.2 Megapixel Jpeg images and HD RTP/RTSP video stream with MPEG4,H264 and H265 encoding.
Context sensor	Images and RTP/RTSP or HTTP video stream with MPEG4, H264 and H265 encoding.
Context frame rate	20 fps with 5 Mpx Sony Night Vision context sensor
Accuracy	
OCR accuracy	<ul style="list-style-type: none"> <li>Up to 99,8% of transits.</li> <li>Up to 98% of oncoming ADR plate (Kemler-UN) reading transits, <b>100% accuracy</b> according to UNI 10772:2016 class A parameters for rear, two-line, motorcycle and moped number plates.</li> <li>50 Km/h maximum capture speed</li> </ul>
Installation	
Geometry	<ul style="list-style-type: none"> <li>Single lane detection</li> <li>Gate width: up to 7 m</li> <li>Reading distance: up to 10 m</li> <li>Mounting height: up to 2.5 m</li> </ul>

## ACCESSORIES

<b>T</b>	POE+ power supply including high power injector
<b>Z</b>	Natural white light, replacing the standard IR illuminator, for reading car plates with red characters.

**QENTRY**  
Software for VEHICLE ACCESS CONTROL

**CERTIFIED**  
**Privacy by Design**  
& Privacy by Default  
**ISDP 10003**



A software solution for those who need a valid tool to manage their customers' parking spaces, such as hotels, campsites, residences, car parks and also private homes, with management functions including:

- permits,
- schedules,
- special types of customers (VIP),
- calculating stay costs,
- entrance of vehicles of a family group, in order to manage the limited availability of parking spaces in residential complexes or campsites. Upon reaching the maximum number of places available, Qentry inhibits entry to additional vehicles of the family group, enabling entry only when the assigned place has been freed.

Qentry is capable of handling special categories of vehicles (ambulances, Law Enforcement, suppliers or special customers, which can automatically enter, regardless of the set time conditions. Qentry is an access control and parking management module and can also be used as a video recording and surveillance system.

# About us

SELEA is specialized in the manufacture of number plate reading solutions, both for vehicle access control and for territorial security and traffic control. All of our products are developed and manufactured entirely in Italy. This means that our customers benefit from continuous and comprehensive technical support.

## Selea Srl

Via Aldo Moro, 69  
46019 Cicognara (MN)  
Italy  
VAT 01811290202  
Tel +39 0375 88.90.91  
Fax +39 0375 88.90.80  
www.selea.com  
infocom@selea.com

- HARDWARE MANUFACTURING
- SOFTWARE DEVELOPMENT
- IN-HOUSE RESEARCH & DEVELOPMENT
- 100% MADE in ITALY by SELEA

**madeinitaly**

